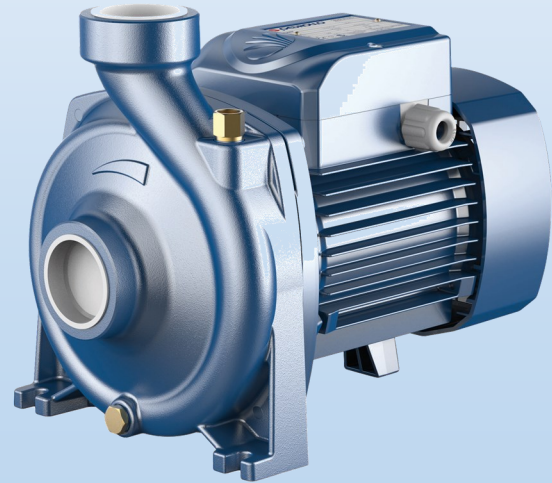


## Centrifugal Pumps



### PERFORMANCE RANGE

Flow rate up to 900 l/min

Head up to 45m

### APPLICATION LIMITS

Suction lift up to 7m

Liquid temperature between -10°C and +90°C

Ambient temperature up to +40°C

Max working pressure 10 bar

Continuous service S1

### CONSTRUCTION - CP

Pump Body	Cast Iron
Back Plate	Cast Iron
Impeller	Brass
Motor Shaft	Stainless Steel 1.4104

### ELECTRIC MOTOR - CP

Three phase 400V 50Hz

Insulation: Class F

Protection: IP X5

### INSTALLATION AND USE

Suitable for use in civil and agricultural applications. The high efficiency and continuous duty capabilities makes these pumps ideal for use in activities such as irrigation from dams or wells, or for any number of different industrial applications.

The pump should be installed in an enclosed environment, or at least sheltered from inclement weather.

### WARRANTY

2 years subject to terms and conditions

### CONSTRUCTION - HF

Pump Body	Cast Iron
Back Plate	Cast Iron
Impeller	Brass
Motor Shaft	Stainless Steel 1.4104

### ELECTRIC MOTOR - HF

Single phase 230V 50Hz

Insulation: Class F

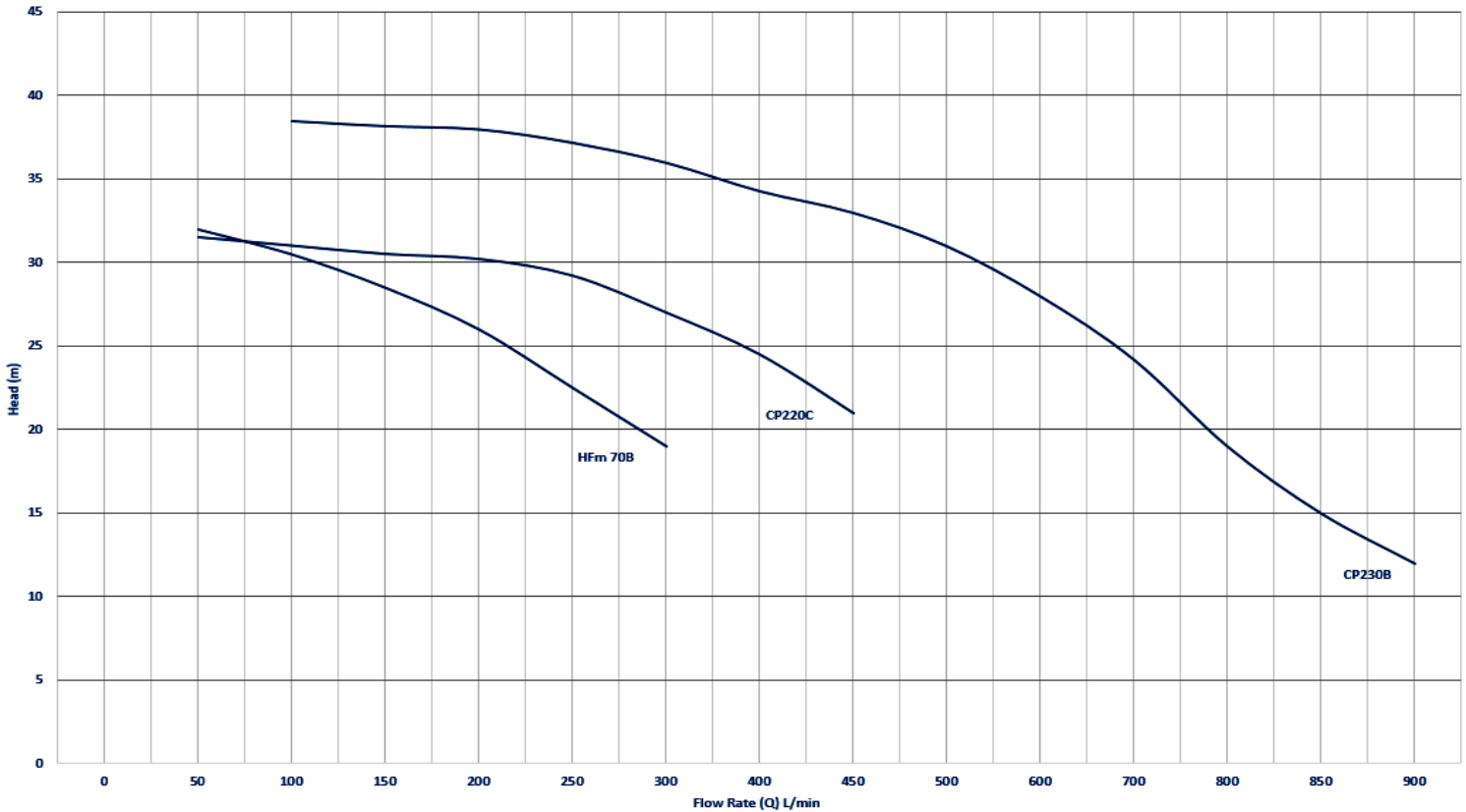
Protection: IP X4

# HF & CP Series

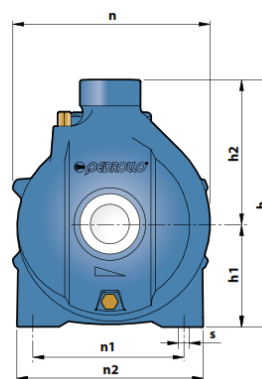
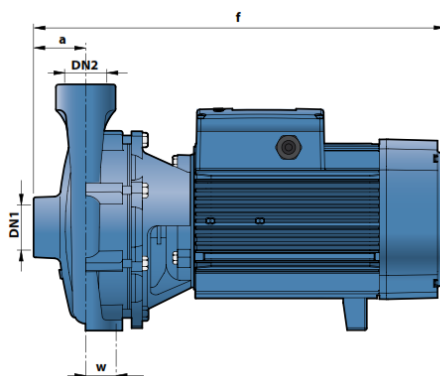


## CHARACTERISTIC PUMP CURVES

50Hz n= 2900 1/min



MODEL		POWER		ABSORPTION	
Single Phase	Three Phase	kW	HP	240V	400V
HFm 70B		1.5	2	9.0A	
	CP220C	2.2	3		6.6A
	CP230B	4	5.5		9.7A



MODEL		PORTS		DIMENSIONS (mm)									KG	
1∅	3∅	DN1	DN2	a	f	h	h1	h2	n	n1	n2	w	s	
HFm 70B		1 1/2"	1 1/2"	48.5	373	269	114	155	216	171		12	12	21.8
	CP220C	2"	2"	70	409	315	132	183	255	170	230	40	14	28.5
	CP230B			70	460	328	136	192	273	190	250	40	14	41.0

Dealer: