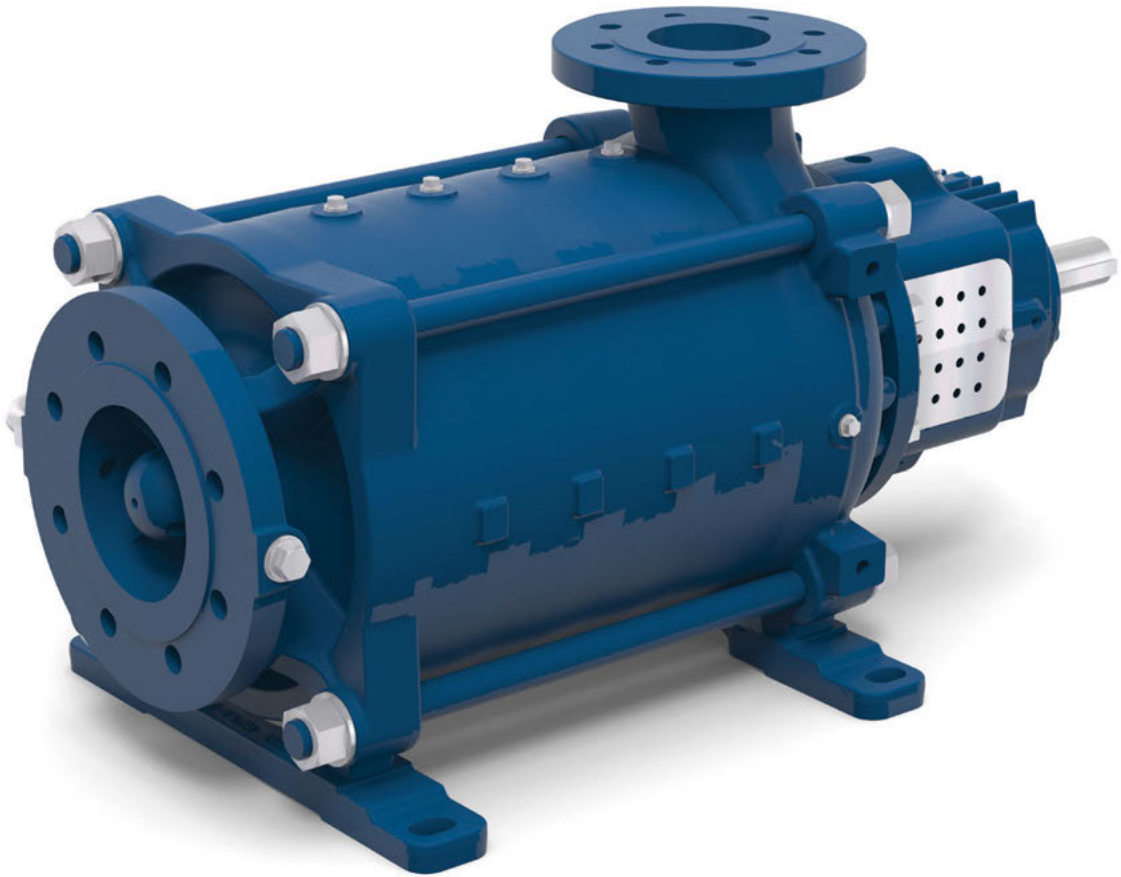


NEW



Lowara e-MP Series

HIGHLY EFFICIENT AND FLEXIBLE MULTISTAGE RING SECTION PUMPS

Applications limited only by your imagination

Introducing the e-MP, a highly versatile casted multistage pump

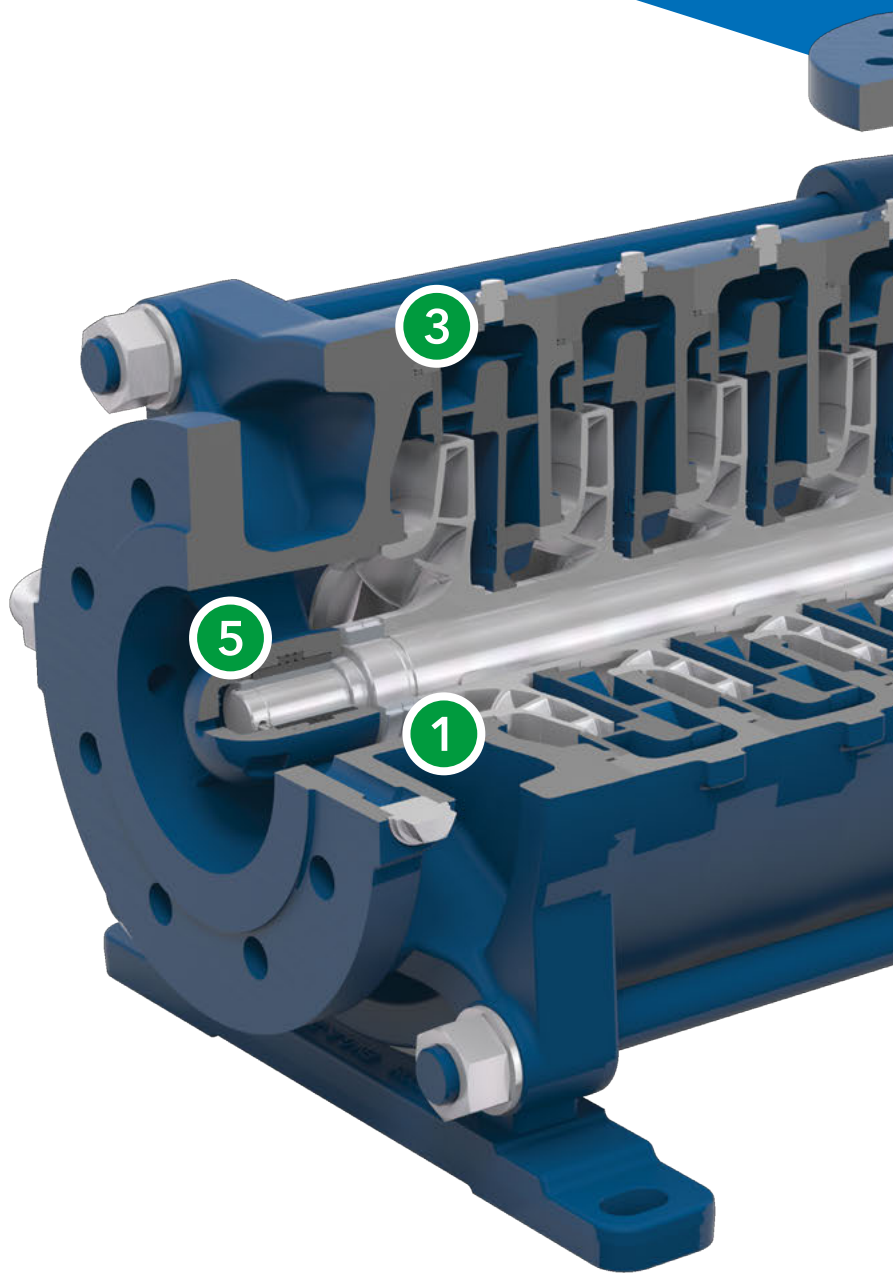
Finally, there's a robust and reliable pumping system for virtually any high pressure application. The Lowara e-MP combines Xylem's century of experience, knowhow and expertise to create a powerful and efficient solution for customers in industry, utilities, agriculture and building services. Designed to be configured a multitude of ways, the Lowara e-MP has applications limited only by your imagination.

Quick Selection

Use the online selection tool, Xylect, to save time. The e-MP is available in a variety of sizes, models and materials which allow you to perfectly configure it for your system requirements. Xylect will help you identify the right model and the necessary accessories, select horizontal or vertical orientation and configure the casings, hydraulics and seals you need based on your application.

Expert Support

Turn to your Xylem sales team with any questions about the proper selection and configuration of your e-MP. Xylem has more than a century of experience in designing and configuring casted multistage pumps for high pressure applications all over the world. We'll coordinate your requests with our experienced engineering department to make sure your pump is optimized for your application.



RANGE OVERVIEW

Sizes: DN50 to DN150

Configurations: horizontal and vertical

Power:

7,5kW - 1.250kW (2-pole) / 10hp - 1.700hp

2,2kW - 160kW (4-pole) / 3hp - 220hp

Heads up to 950m / 3.100ft

Flows up to 850m³/h / 3.740 US gpm

Temperature of pumped liquid:

-25°C to +140°C, optional 180°C /

-13°F to +284°F, optional 356°F

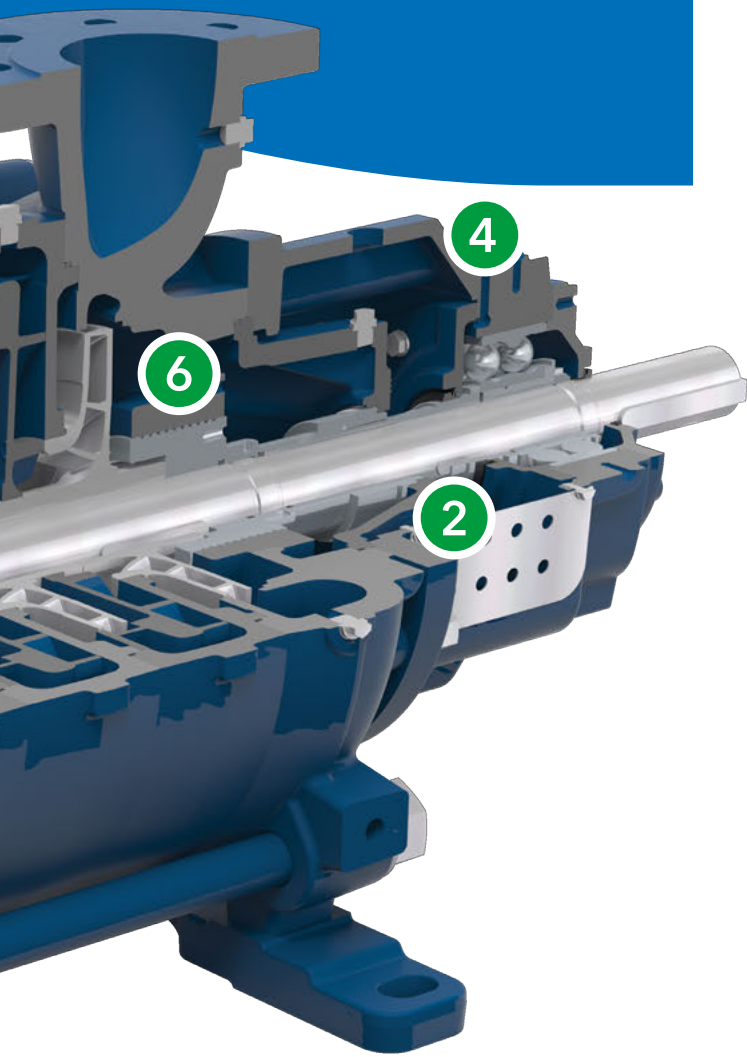
MATERIAL OPTIONS

Pumphousing: cast iron, ductile iron, steel, stainless steel (AISI 316), duplex stainless steel, super duplex stainless steel

Impeller: cast iron, bronze, stainless steel (AISI 316), duplex stainless steel, super duplex stainless steel

Elastomers: EPDM, FPM

Shaft sealing: Mechanical seal, cartridge seal, soft packing



1 Simple integration

Simply and cost-effectively integrate the e-MP into nearly any high pressure application, thanks to its flexible mechanical configuration and its first stage suction impeller. This newly redesigned impeller provides the extremely high suction capabilities needed to meet the rigorous demands of hot water or condensate pumping applications.

2 Safe operation

Protect your people and reduce downtime with the e-MP. It incorporates a healthy assortment of built-in safeguards, such as a large self-cleaning seal chamber for contaminated liquids. Plus, you can further control and monitor safety by connecting the pump to the Xylem Hydrovar or another intelligent system.

3 Energy savings

Leave a greener footprint. The high efficiency hydraulics of the e-MP are optimized by computational fluid dynamics calculations and new U-turn channels, which create an ideal flow of pumped liquid from stage to stage. This reduces both life cycle costs and energy demand, which gives the pump MEI values well above international standards.

4 Projectable service

Plan and minimize maintenance downtimes with the help of optional sensor interfaces on the e-MP. Pressure, temperature and vibration sensors can be installed on these mechanical interfaces; by connecting them to an intelligent plant monitoring and diagnostic system, a preventative maintenance schedule for the pump can be projected in advance.

5 Reduced wear

Decrease your downtime, maintenance needs and operation costs thanks to an assortment of smart design features and materials that extend the life of the e-MP and its components. For instance, the newly designed plain bearing in the suction housing is made of tungsten carbide and is elastically supported to resist extreme vibrations and shocks. A balancing drum reduces the axial thrust of the bearings and the load on the mechanical seal. The ultimate result is a more efficient, more effective operation.

6 Easy maintenance

Easily service the e-MP, thanks to its smart, simple, modular design. The bearing at the drive side, the mechanical seal and the balancing drum bush are all easily accessible without having to remove the pump from the piping system. What's more, the pump's modularity minimizes the number of parts needed to cover the complete performance range, which simplifies assembly and streamlines spare parts management.

ACCESSORIES

Motors

Frames

Couplings

Coupling guards

Monitoring & control interfaces

Hydrovar

Specials on request: e.g. fly wheel, high voltage motors

AVAILABILITY

The full Lowara e-MP Series will be released over time. Therefore, if a new e-MP pump is not yet available, Xylem will quote the existing MP pump. Consult your Xylem sales team with any questions.

Xylem |'zīləm|

- 1) The tissue in plants that brings water upward from the roots;
- 2) a leading global water technology company.

We're a global team unified in a common purpose: creating advanced technology solutions to the world's water challenges. Developing new technologies that will improve the way water is used, conserved, and re-used in the future is central to our work. Our products and services move, treat, analyze, monitor and return water to the environment, in public utility, industrial, residential and commercial building services, and agricultural settings. With its October 2016 acquisition of Sensus, Xylem added smart metering, network technologies and advanced data analytics for water, gas and electric utilities to its portfolio of solutions. In more than 150 countries, we have strong, long-standing relationships with customers who know us for our powerful combination of leading product brands and applications expertise with a strong focus on developing comprehensive, sustainable solutions.

For more information on how Xylem can help you, go to www.xylem.com



Legal head office
Xylem Water Solutions Italia Srl

Via Gioacchino Rossini 1/A
20020 - Lainate (MI) - Italy
Tel. (+39) 02 90358.1
Fax (+39) 02 9019990
www.xylemwatersolutions.com

For information and technical support
Xylem Service Italia Srl

Via Dottor Vittorio Lombardi 14
36075 - Montecchio Maggiore (VI) - Italy
Tel. (+39) 0444 707111
Fax (+39) 0444 491043
www.lowara.com

Lowara is a trademark of Xylem Inc. or one of its subsidiaries.
All other trademarks or registered trademarks are property of their respective owners.

Xylem Water Solutions Italia Srl reserves the right to make modification without prior notice.
Lowara, Xylem are trademarks of Xylem Inc. or one of its subsidiaries. © 2016 Xylem, Inc.